

SPE125L

SPE160L



SPE125L and SPE160L have elevating support arms for two pallet handling and is suitable for loading/unloading applications including horizontal transports and stacking on lift heights up to 5400 mm.



Technical Details		SPE125L	SPE160L
Operating type		pedestrian/stand on	pedestrian/stand on
Rated capacity	kg	1250	1600
Rated capacity, support arm lift	kg	1600	2000
Load centre	mm	600	600
Max. axle load drive wheel, without/with rated load/ with rated load on support arms	kg	390/530/530 ¹⁾	390/620/620 ¹⁾
Max. axle load castor wheels, without/with rated load/ with rated load on support arms	kg	620/650/660	660/630/610
Max. axle load support arm wheels, without/with rated load/ with rated load on support arms	kg	360/1440/1860	430/1830/2250
Travel speed, without/with rated load/without platform	km/h	8/7/6	8/7/6
Lift speed, without/with rated load	m/s	0.33/0.17 ²⁾	0.24/0.12 ²⁾
Lowering speed, without/with rated load	m/s	0.49/0.51 ²⁾	0.34/0.35 ²⁾
Gradient, without/with rated load	%	12/10	12/10
Service-/parking brake		1 stage electromagnetic brake	1 stage electromagnetic brake
Drive motor/Intermittent rating (S2 60')	kW	1,7	1,7
Lift motor/ Intermittent rating (S3 11%)	kW	3	3
Steering system		steering arm	steering arm
Speed control		transistor, stepless	transistor, stepless
Steering arc	°	180	180

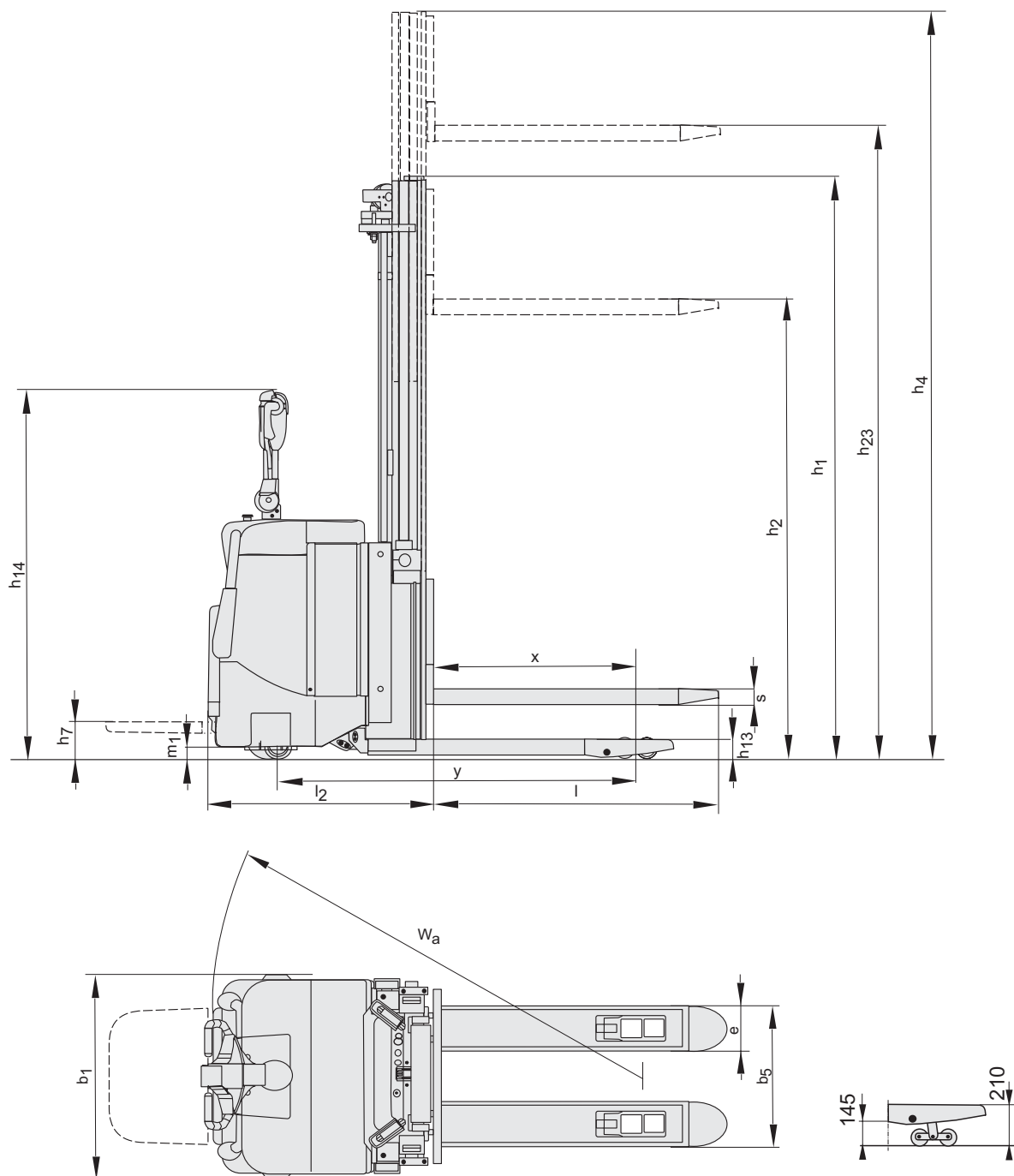
Dimensions, mm		SPE125L	SPE160L
x	Back of fork to bogie wheel centre, fork raised	772 ³⁾	725
y	Wheel base, fork raised/lowered	1421/1481	1421/1481
	Drive wheel movement up/down	15/30	15/30
	Drive wheel, Powerfriction ⁴⁾	Ø 215	Ø 215
	Castor wheels, Vulkollan	Ø 125x50	Ø 125x50
	Support arm wheels, bogie, Vulkollan	Ø 85x75	Ø 85x75
h ₇	Platform height	150	150
l ₄	Platform length	400	400
h ₁₄	Height of handle in neutral pos.	1435 ⁵⁾	1435 ⁵⁾
h ₁₃	Height of lowered fork	90	90
l ₂	Truck length incl. fork face, without/with platform up/down	877/901/1328 ⁶⁾	918/948/1375
b ₁	Chassis, width	790/850/1150	790/850/1150
s	Fork thickness	65	70
e	Fork width	180	180
l	Fork length	800/900/1000/1150/1400	1150/1400
b ₅	Width across fork	520/570	570
m ₁	Floor clearance	50	50
A _{st}	Aisle width, without/platform up/down	2293/2323/2725	2341/2371/2773
W _a	Turning radius, without/with platform up/down	1666/1696/2123	1714/1744/2171

Data is based on small size battery compartment, l=1150, Duplex Hi-Lo
Large battery compartment = +98 mm and +30 kg

Mast, SPE125L			Duplex Tele			Duplex Hi-Lo					Triplex Hi-Lo					
h ₂₃	Total lift height	mm	2350	2800	3350	2350	2900	3350	3750	4150	3350	3750	4150	4500	4800	5400
h ₁	Height of mast, min. ⁷⁾	mm	1710	1935	2210	1710	1985	2210	2420	2620	1680	1815	1950	2065	2165	2365
h ₂	Free lift ⁷⁾	mm	—	—	—	1240	1515	1740	1940	2140	1205	1340	1475	1590	1690	1890
h ₄	Height of mast, max.	mm	2870	3320	3870	2870	3420	3870	4280	4680	3875	4275	4675	5025	5325	5925
	Weight without battery ⁸⁾	kg	960	980	1010	980	1010	1035	1060	1080	1060	1080	1100	1120	1135	1165
	Battery (5h discharge), min./max. V/Ah		24/180—440													
	Battery weight, min./max. kg		200—250/300—370													

Mast, SPE160L			Duplex Tele					Duplex Hi-Lo					Triplex Hi-Lo					
h ₂₃	Total lift height	mm	2350	2900	3350	3750	4150	2350	2900	3350	3750	4150	3350	3750	4150	4400	4800	5400
h ₁	Height of mast, min. ⁷⁾	mm	1745	2020	2245	2445	2645	1745	2020	2245	2445	2645	1740	1875	2010	2075	2205	2405
h ₂	Free lift ⁷⁾	mm	—	—	—	—	—	1240	1515	1740	1940	2140	1114	1248	1382	1465	1598	1798
h ₄	Height of mast, max.	mm	2900	3450	3900	4300	4700	2900	3450	3900	4300	4700	4005	4405	4805	5055	5455	6055
	Weight without battery ⁸⁾	kg	1050	1080	1110	1140	1170	1060	1090	1120	1150	1180	1160	1190	1210	1230	1250	1290
	Battery (5h discharge), min./max. V/Ah		24/180—440															
	Battery weight, min./max. kg		200—250/300—370															

Truck performance and dimensions are nominal and subject to tolerances.
BT Products AB products and specifications are subject to change without notice.
All data is based on VDI 2198.



- 1) Increased axle load = +80 kg
- 2) Based on Triplex mast
- 3) Triplex mast -20 mm
- 4) Other alternatives available
- 5) Height of handle in neutral position without platform = 1580 mm, in normal driving position = 1040 mm.
- 6) Triplex mast +20 mm
- 7) +120 mm with raised support arms
- 8) Platform weight 30 kg



- The truck is equipped with Powertrak drive unit configuration — a BT patent. The drive wheel pressure is constantly adjusted due to the weight of the load. The result is optimal traction and minimum steering force.
- The comfortable steering arm, with its modern design, facilitates one hand operation. The lift, lowering and driving functions are ergonomically placed on the steering arm and can be operated by finger tip force.
- The Sensi-lift function offer precise and intuitive control of the lift and lowering speeds.
- The machines are ideal for double stacking. The SPE125L has a double stacking capacity of 625 + 625 kg and SPE160L of 800 + 800 kg.
- The BT Powerdrive system provides reliability and simplicity. Can-bus technology means fewer parts and reliable transmission of data. A Pin code start up procedure offers higher operational safety by stopping unauthorised driving.
- Two different battery compartments provide the truck with excellent flexibility.

Truck features	SPE125L	SPE160L
BT Powerdrive System	S	S
Powertrak traction system	S	S
Controls and instrument		
Fingertip controls	S	S
Information display	S	S
Power/Electronic steering	O	O
Sensi-lift	S	S
Temporary speed reduction (turtle button)	O	O
Tiller arm steering	S	S
Driving features		
180° steering	S	S
Electronic braking system	S	S
Electronic speed control	S	S
Flip-down driver platform	S	S
Safety features		
BT Access Control	S	S
Clear-view mast	S	S
Folding sideguards	S	S
Programmable performance	S	S
Maintenance features		
Easy access for maintenance	S	S
Fault diagnosis facility	S	S
Battery management features		
Battery change facility	O	O
Battery status indicator	S	S
Heavy duty battery compartments	O	O
Sideways battery change	O	O
Special applications		
Coldstore version	O	O

S = Standard feature

O = Optional feature

— = Not available



The product complies with the EC-directives



SS-EN ISO 9001, No. 003
ISO 14001, No. M005

BT
SE-595 81 Mjölby Sweden
Tel: +46 (0)142 860 00
Fax: +46 (0) 142 866 00
Email: info@bt-forklifts.com
www.bt-forklifts.com

