

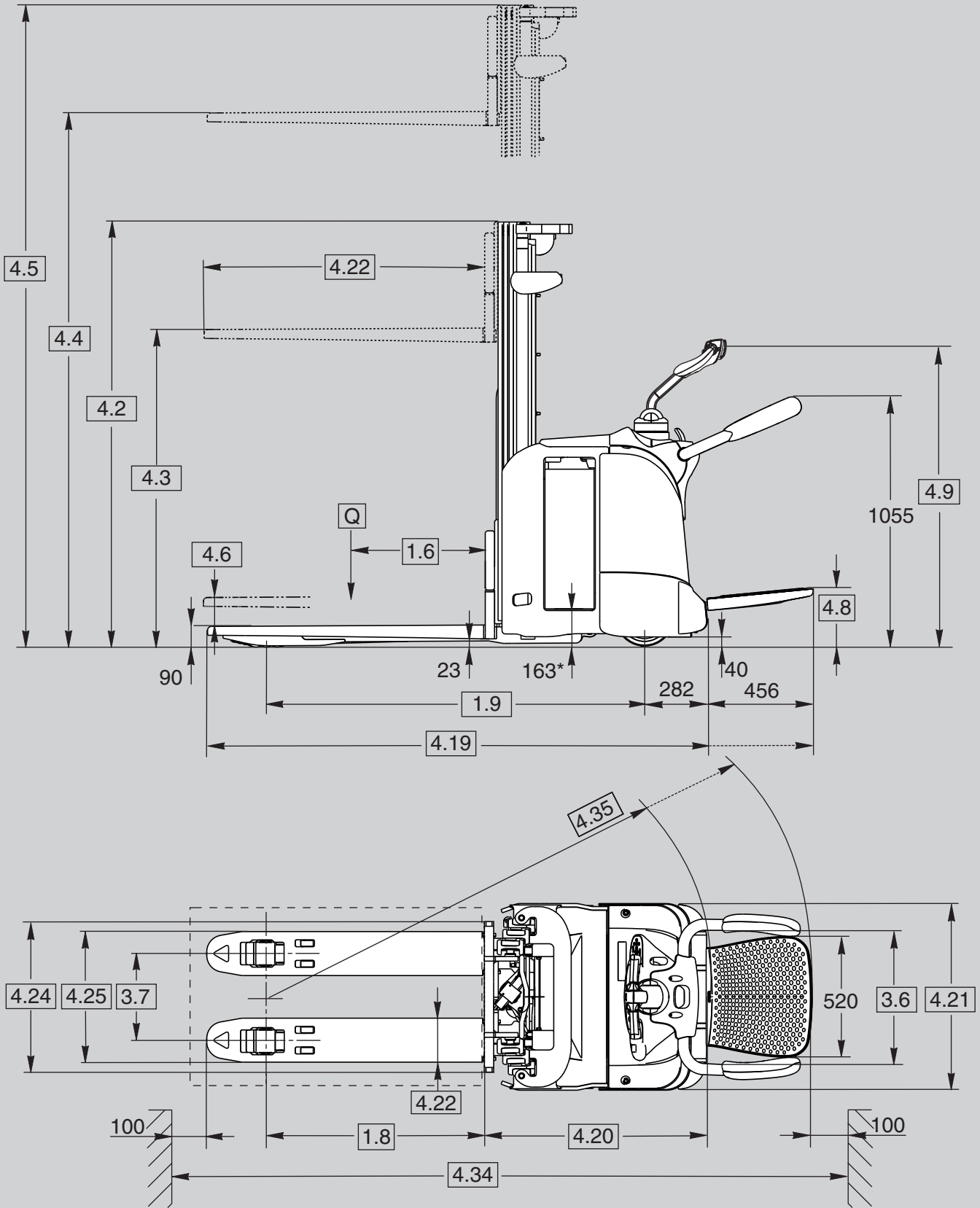
CROWN

ET 4000 SERIES

Specifications

Rider Stacker with Initial Lift





* battery roll out height, initial lift lowered

General Information	1.1	Manufacturer	Crown Equipment Corporation					
	1.2	Model			ETi 4000 – 1.2	ETi 4000 – 1.4	ETi 4000 – 1.6	
	1.3	Power	electric					
	1.4	Operator Type	stand-on					
	1.5	Load Capacity ⁵	Q	t	1.2	1.4	1.6	
	1.6	Load Centre	c	mm	600			
	1.8	Load Distance ⁶	TL-TF/TT, initial lift raised	x	mm	943 / 919	938 / 914	906 / 882
	1.9	Wheel Base ⁷	initial lift raised	y	mm	1582		
	Weights	2.1	Weight	less battery		kg	see table 1	see table 2
2.2		Axle Load	w. load, front / rear		kg	see table 1	see table 2	see table 3
2.3		Axle Load	w.o. load, front / rear		kg	see table 1	see table 2	see table 3
Tyres	3.1	Tyre Type	Vulkollan					
	3.2	Wheel Size ²	front		mm	Ø 230 x 70		
	3.3	Wheel Size	rear		mm	1x Ø 82 x 100	2x Ø 82 x 82	
	3.4	Additional Wheels	castor wheel		mm	2x Ø 125 x 54		
	3.5	Wheels	no. (x = driven) front / rear			1x + 2/2	1x + 2/4	
	3.6	Track Width ³	front	b10	mm	542		
	3.7	Track Width	rear	b11	mm	374		
Dimensions	4.2	Mast	collapsed height	h1	mm	see table 1	see table 2	see table 3
	4.3	Free Lift		h2	mm	see table 1	see table 2	see table 3
	4.4	Lift Height		h3+h13	mm	see table 1	see table 2	see table 3
	4.5	Mast	extended height	h4	mm	see table 1	see table 2	see table 3
	4.6	Initial Lift		h5	mm	125		
	4.8	Operator Stand Height			mm	186		
	4.9	Tiller Arm Height	in drive position min./max.	h14	mm	1070 / 1383		
	4.15	Fork Height	lowered	h13	mm	90		
	4.19	Overall Length ¹	platform up, TL-TF/TT, initial lift raised	l1	mm	2127 / 2144	2131 / 2149	2157 / 2181
	4.19	Overall Length ¹	platform down, TL-TF/TT, initial lift raised	l1	mm	2582 / 2600	2587 / 2605	2613 / 2637
	4.20	Headlength ¹	platform up, TL-TF/TT, initial lift raised	l2	mm	925 / 943	930 / 948	956 / 980
	4.20	Headlength ¹	platform down, TL-TF/TT, initial lift raised	l2	mm	1381 / 1399	1386 / 1404	1412 / 1436
	4.21	Overall Width		b1	mm	800		
	4.22	Fork Dimension	standard	thxwxl	mm	60 x 186 x 1200	60 x 190 x 1200	
	4.24	Fork Carriage Width		b3	mm	650		
	4.25	Width Across Forks		b5	mm	560	565	
	4.32	Ground Clearance	centre wheel base	m2	mm	23		
	4.34	Working Aisle Width	800x1200 length, TL-TF/TT, platform up, initial lift raised	Ast	mm	2535 / 2549	2538 / 2552	2556 / 2571
4.34	Working Aisle Width	800x1200 length, TL-TF/TT, platform down, initial lift raised	Ast	mm	2994 / 3008	2997 / 3011	3015 / 3030	
4.35	Turning Radius ⁷	platform up, initial lift raised	Wa	mm	1860			
4.35	Turning Radius ⁷	platform down, initial lift raised	Wa	mm	2319			
Performance	5.1	Travel Speed	w./w.o. load		km/h	8 / 9	7.7 / 9	7.5 / 9
	5.2	Lift Speed	w./w.o. load		m/s	0.16 / 0.24	0.14 / 0.24	0.12 / 0.24
	5.3	Lowering Speed	w./w.o. load		m/s	0.36 / 0.25		
	5.8	Max. Gradeability	w./w.o. load 5 min. rating		%	10 / 16	9 / 16	8 / 16
	5.10	Service Brake				electric		
Motors	6.1	Traction Motor	rating at S2 60 min. / H-class		kW	3.0		
	6.2	Lift Motor	rating at S3 10 %		kW	3.0		
	6.3	Max. Battery Box Size ⁸		lxwxh	mm	212 x 790 x 633		
	6.4	Battery Voltage ⁴	nominal capacity 5h rating		V / Ah	24 / 230-270 (315-375)		
	6.5	Battery Weight ⁴	min./max.		kg	201/252 (270/325)		
Misc.	8.1	Type Controller	drive			AC-transistor		
	8.4	Sound Level	acc. to EN 12053		dB(A)	≤ 70		

¹ subtract 22 mm for initial lift lowered

² Ø 250 x 75 mm with electronic steering

³ subtract 9 mm with electronic steering

⁴ with optional larger battery use values in brackets

⁵ capacity on load arms = 2.0 t for electronic steering version

⁶ add 64 mm for initial lift lowered

⁷ add 42 mm for initial lift lowered

⁸ contact Crown for battery details

Table 1 Mast Chart

1.2 Model					ETi 4000 - 1.2														
Mast Type					TL					TF					TT				
2.1	Weight ¹	less battery		kg	1044	1066	1086	1110	1136	1054	1075	1095	1118	1143	1159	1192	1216	1229	1250
2.2	Axle Load 250 Ah	w. load	front	kg	1271	1286	1300	1317	1335	1278	1292	1306	1322	1340	1334	1357	1373	1382	1397
			rear	kg	1185	1192	1198	1205	1213	1188	1195	1201	1208	1215	1237	1247	1255	1259	1265
2.3	Axle Load 250 Ah	w.o. load	front	kg	984	999	1013	1030	1048	991	1005	1019	1036	1053	1060	1083	1100	1109	1123
			rear	kg	272	279	285	292	300	275	282	288	294	302	311	321	328	332	339
2.2	Axle Load 375 Ah	w. load	front	kg	1341	1356	1370	1387	1405	1348	1363	1377	1393	1410	1404	1427	1444	1452	1467
			rear	kg	1191	1198	1204	1211	1219	1194	1200	1206	1213	1221	1243	1253	1260	1265	1271
2.3	Axle Load 375 Ah	w.o. load	front	kg	1045	1061	1075	1091	1110	1052	1067	1081	1097	1114	1121	1144	1161	1170	1185
			rear	kg	287	293	299	307	314	290	296	302	309	317	326	336	343	347	353
4.2	Mast	collapsed height	h ₁	mm	1770	1980	2180	2420	2670	1770	1980	2180	2420	2670	1845	1980	2140	2220	2370
4.3	Free Lift ²		h ₂	mm	180					1290	1500	1690	1940	2190	1360	1500	1660	1735	1870
4.4	Lift Height		h ₃ +h ₁₃	mm	2440	2860	3260	3740	4240	2540	2960	3360	3840	4340	4000	4440	4750	5000	5400
4.5	Mast ³	extended height	h ₄	mm	2920	3350	3750	4220	4720	3020	3450	3850	4320	4820	4480	4930	5240	5480	5880

Table 2 Mast Chart

1.2 Model					ETi 4000 - 1.4														
Mast Type					TL					TF					TT				
2.1	Weight ¹	less battery		kg	1063	1086	1108	1134	1162	1073	1096	1117	1142	1169	1173	1206	1230	1243	1264
2.2	Axle Load 250 Ah	w. load	front	kg	1323	1339	1355	1373	1393	1330	1346	1361	1379	1397	1380	1403	1420	1429	1443
			rear	kg	1352	1359	1365	1373	1381	1355	1362	1368	1375	1384	1405	1415	1422	1426	1433
2.3	Axle Load 250 Ah	w.o. load	front	kg	993	1009	1024	1043	1062	1000	1016	1031	1048	1067	1065	1088	1105	1114	1128
			rear	kg	282	289	296	303	312	285	292	298	306	314	320	330	337	341	348
2.2	Axle Load 375 Ah	w. load	front	kg	1395	1411	1426	1445	1464	1402	1418	1433	1450	1469	1452	1475	1491	1500	1515
			rear	kg	1356	1363	1370	1377	1386	1359	1366	1372	1380	1388	1409	1419	1427	1431	1437
2.3	Axle Load 375 Ah	w.o. load	front	kg	1054	1070	1086	1104	1123	1061	1077	1092	1109	1128	1127	1150	1166	1175	1190
			rear	kg	297	304	310	318	327	300	307	313	321	329	334	344	352	356	362
4.2	Mast	collapsed height	h ₁	mm	1770	1980	2180	2420	2670	1770	1980	2180	2420	2670	1845	1980	2140	2220	2370
4.3	Free Lift ²		h ₂	mm	180					1290	1500	1690	1940	2190	1360	1500	1660	1735	1870
4.4	Lift Height		h ₃ +h ₁₃	mm	2440	2860	3260	3740	4240	2540	2960	3360	3840	4340	4000	4440	4750	5000	5400
4.5	Mast ³	extended height	h ₄	mm	2920	3350	3750	4220	4720	3020	3450	3850	4320	4820	4480	4930	5240	5480	5880

Table 3 Mast Chart

1.2 Model					ETi 4000 - 1.6														
Mast Type					TL					TF					TT				
2.1	Weight ¹	less battery		kg	1122	1152	1182	1212	1247	1138	1168	1195	1228	1263	1287	1317	1347	1364	1392
2.2	Axle Load 250 Ah	w. load	front	kg	1382	1403	1424	1445	1469	1393	1414	1433	1456	1480	1466	1486	1507	1518	1537
			rear	kg	1552	1561	1570	1579	1590	1557	1566	1574	1584	1595	1633	1643	1652	1658	1667
2.3	Axle Load 250 Ah	w.o. load	front	kg	1030	1051	1072	1093	1117	1041	1062	1081	1104	1128	1137	1158	1179	1190	1209
			rear	kg	304	313	322	331	342	309	318	326	336	347	362	371	380	386	395
2.2	Axle Load 375 Ah	w. load	front	kg	1456	1476	1497	1518	1542	1466	1487	1506	1529	1553	1539	1560	1580	1592	1611
			rear	kg	1554	1564	1573	1582	1593	1560	1569	1577	1587	1598	1636	1645	1655	1660	1669
2.3	Axle Load 375 Ah	w.o. load	front	kg	1092	1113	1133	1154	1179	1103	1123	1142	1165	1189	1199	1219	1240	1251	1270
			rear	kg	318	327	337	346	356	323	333	341	351	362	376	386	395	401	410
4.2	Mast	collapsed height	h ₁	mm	1770	1980	2180	2420	2670	1770	1980	2180	2420	2670	1845	1980	2140	2220	2370
4.3	Free Lift ²		h ₂	mm	180					1290	1500	1690	1940	2190	1360	1500	1660	1735	1870
4.4	Lift Height		h ₃ +h ₁₃	mm	2440	2860	3260	3740	4240	2540	2960	3360	3840	4340	4000	4440	4750	5000	5400
4.5	Mast ³	extended height	h ₄	mm	2920	3350	3750	4220	4720	3020	3450	3850	4320	4820	4480	4930	5240	5480	5880

¹ add 6 kg for electronic steering

² with 1200 mm high load backrest subtract 750 mm for TF and TT

³ with 1200 mm high load backrest add 750 mm

axle load figures assume initial lift lowered and rated capacity on forks

all data apply to mechanical steering only

Standard Equipment

1. Load arms with initial lift
2. The X10® Control Handle places all truck functions at the operator's fingertips. Load arm lift/lower switches are located on left side
3. Proportional lifting/lowering provided by a low-noise hydraulic system
4. e-GEN® Braking System offers regenerative and frictionless electric braking. Mechanical braking applies only as parking brake
5. Crown Access 1 2 3® Comprehensive System Control
 - LCD display
 - Hour meter
 - Keyless start up with PIN code
 - Start up and run time diagnostics
 - Battery discharge indicator and lift interrupt
 - 3 selectable traction performance profiles
 - Onboard diagnostics with real time trouble-shooting capabilities
6. Crown maintenance free 3-phase (AC) traction motor
7. CAN-Bus technology
8. Electric power disconnect push button
9. Ramp hold
10. Vulkollan drive tyre, castor wheel(s) and load wheels
11. Single load wheels (1.2 t and 1.4 t), tandem load wheels (1.6 t)
12. Heavy-duty dual castor wheels
13. Heavy-duty chassis with 8 mm thick steel skirt
14. Easily removable steel covers
15. Hinged steel top battery cover for easy battery access
16. Plexiglas mast guard
17. Battery compartment for 230-270 Ah and 315-375 Ah
18. Battery roll out (right hand side, forks first direction)
19. Battery connector DIN 160A
20. Sealed electrical Deutsch connectors
21. Foldable platform
22. Advanced platform suspension
23. Soft floor mat with integrated presence sensor
24. Heavy-duty side restraints with soft side pads and quick-exit feature

Optional Equipment

1. Intelligent Electronic Steering System
 - Selectable performance profiles for speed reduction on curves
 - Tactile feedback feature analyses operational conditions and adjusts steering force for optimised control
 - 3-phase (AC) steering motor
2. Load arm lift/lower switches on left and right side of X10 Control Handle
3. Pallet entry/exit roller system
4. Onboard charger
5. Battery connector SBE 160 red / SB 175 red / SB 175 grey
6. Foldable platform without side restraints (mechanical steering only)
7. Rubber or Supertrac drive tyre
8. Tandem load wheels (1.2 t and 1.4 t)
9. Fork length and spread options
10. Load backrest
11. Key switch or key pad
12. Freezer conditioning
13. InfoLink® ready
14. Work Assist accessory tube
15. Work Assist Accessories
 - Storage pockets
 - Scan gun holder
 - Medium and large clipboards
 - Beverage holder
16. Metal mast grill
17. Flashing beacon
18. Travel alarm
19. 12V clean power supply
20. 24V power supply
21. Special paint
22. Lithium-Ion Battery Ready

Electric System / Battery

24 volt electrical system with nominal battery capacities from 230 Ah to 375 Ah is managed by Crown's Access 1 2 3 Comprehensive System Control. Virtually maintenance-free Crown AC traction motor provides strong acceleration and control at any speed. Sensors monitor functional parameters including steering, load weight, height, drive mode and speed and adjust operational settings automatically to suit conditions.

Power Unit

The rugged power unit features a reinforced 8 mm thick skirt to protect drive unit and castor components. Removable steel covers all around ensure internal components are protected against impacts yet easily accessible for service. On the inside a Crown-built AC traction motor and a low-noise cast iron gearbox provide reliable power.

Initial lift

Initial lift offers higher under clearance for better handling and performance on ramps, grades and uneven surfaces. Initial lift offers the possibility of double pallet transport. Optional electronic steering allows transport of loads up to 2 tons on the load arms.

Operator Area and Controls

The ET 4000 Series incorporates numerous design features to improve operator comfort and productivity. The folding FlexRide platform reduces shock transfer to the operator. The lifetime platform suspension never requires adjustment and features solid state induction switches to avoid reliability issues caused by contaminants. Heavy-duty side restraints feature 50 mm heavy-wall steel tubing and rugged C-clamp mounting system. Soft polyurethane side pads are positioned for excellent support and comfort. The quick-exit feature (patent pending) allows the restraints to swing up for faster access to the load.

Trucks with mechanical steering have an automatic lift stop at 1.8 metres unless the side restraints are folded fully down.

Trucks equipped with power steering allow lift and travel when the side restraints are in the quick-exit position. This simple, one-handed motion allows the operator to pass the 1.8 metre lift limit without stopping to fold down the restraints.

The centre mounted X10 Control Handle, designed for operation of all functions with one hand, improves side-stance operation for maximum visibility in both driving directions and positions

the operator in a safe distance to the power unit even with the tiller turned 90° in pedestrian mode.

Available electronic steering improves manoeuvrability and responsiveness, even with heavy loads. Electronic steering combined with speed control on curves, safely delivers top driving performance. Proportional lift and lowering allows easy and precise positioning of loads. The fast responsiveness and speeds of the lifting and lowering functions are designed to ensure high efficiency in all applications and at a low noise level.

Access 1 2 3® Comprehensive System Control

Crown's Access 1 2 3 technology provides optimum performance and control by offering a communications interface for the operator and service engineer. The display includes a full featured on-board service tool allowing service engineers to actively view inputs and outputs during truck operation. No laptop or service terminal is required. Up to 25 PIN codes can be assigned to individual operators and matched to one of the pre-programmed performance profiles if desired.

e-GEN® Braking System

The power of the high-torque AC traction motor is used to stop the truck and keep it static until a travel input is requested, even when operating on a gradient. This system eliminates adjustments and wear points for a lifetime of maintenance free use. An automatic parking brake activates if the truck is stopped and the operator leaves the platform or power is disconnected.

Safety Regulations

Conforms to European safety standards. Dimensions and performance data given may vary due to manufacturing tolerances. Performance is based on an average size vehicle and is affected by weight, condition of truck, how it is equipped and the conditions of the operating area. Crown products and specifications are subject to change without notice.

