

Pedestrian stacker truck 0.8 ton

BT staxio
SWE080L



Pedestrian stacker with elevating support arms

Specification for stacker trucks					SWE080L
Identification	1.1	Manufacturer			BT
	1.2	Model			SWE080L
	1.3	Drive			Electric
	1.4	Operator type			Pedestrian
	1.5	Load capacity/rated load	Q	kg	800
		Support arm capacity/fork and support arm capacity	Q	kg	2000/—
	1.6	Load centre	c	mm	600
	1.8	Load distance, centre of support arm wheel to face of forks	x	mm	874
	1.9	Wheelbase	y	mm	1293
Weight	2.1	Service weight including battery		kg	679
	2.2	Axle load, with load, drive/castor/fork wheel		kg	525/150/830
	2.3	Axle load, without load, drive/castor/fork wheel		kg	375/150/180
Wheels	3.1	Drive/castor/fork wheel			Powerfriction/Vulkollan/Vulkollan *)
	3.2	Wheel size, front		mm	Ø230x70
	3.3	Wheel size, rear		mm	Ø85x74
	3.4	Additional wheels (dimensions)		mm	Ø125x50
	3.5	Wheels, number front/rear (x=driven wheels)			1x+2/4
	3.6	Track width, front	b ₁₀	mm	430
	3.7	Track width, rear	b ₁₁	mm	390
Dimensions	4.2	Height, mast lowered	h ₁	mm	1863 *)
	4.3	Free lift	h ₂	mm	1580 *)
	4.4	Lift	h ₃	mm	1490 *)
		Lift height	h ₂₃	mm	1580 *)
	4.5	Height, mast extended	h ₄	mm	1863 *)
	4.6	Initial lift	h ₅	mm	120
	4.9	Height of tiller in drive position, min./max.	h ₁₄	mm	865/1235
	4.15	Height, fork lowered	h ₁₃	mm	90
	4.19	Overall length	l ₁	mm	1777
	4.20	Length to face of forks	l ₂	mm	628
	4.21	Overall width	b ₁	mm	726
	4.22	Fork dimensions	s/e/l	mm	60/180/1150 *)
	4.24	Fork-carriage width	b ₃	mm	674
	4.25	Width over forks	b ₅	mm	570 *)
	4.31	Ground clearance, with load, below mast	m ₁	mm	25
4.32	Ground clearance, centre of wheelbase	m ₂	mm	25	
4.33	Aisle width for pallets 1000x1200 crossways	A _{st}	mm	2256	
4.34	Aisle width for pallets 800x1200 lengthways	A _{st}	mm	2159	
4.35	Turning radius	W _a	mm	1443	
Performance data	5.1	Travel speed, with/without load		km/h	6/6
	5.2	Lift speed, with/without load		m/s	0.14/0.21
	5.3	Lowering speed, with/without load		m/s	0.29/0.20
	5.8	Max. gradeability, with/without load		%	9/18 ¹⁾
	5.10	Service brake			Electromagnetic
Electric motor	6.1	Drive motor rating S2 60 min		kW	1.0
	6.2	Lift motor rating at S3 15%		kW	2.0 ²⁾
	6.4	Battery voltage/nominal capacity K _s		V/Ah	2x12/180 *)
	6.5	Battery weight		kg	2x109 *)
Others	8.1	Type of drive control			BT Powerdrive

¹⁾ Measured according to company standard

²⁾ S3 7%

*) Further alternatives are available and will produce other values.

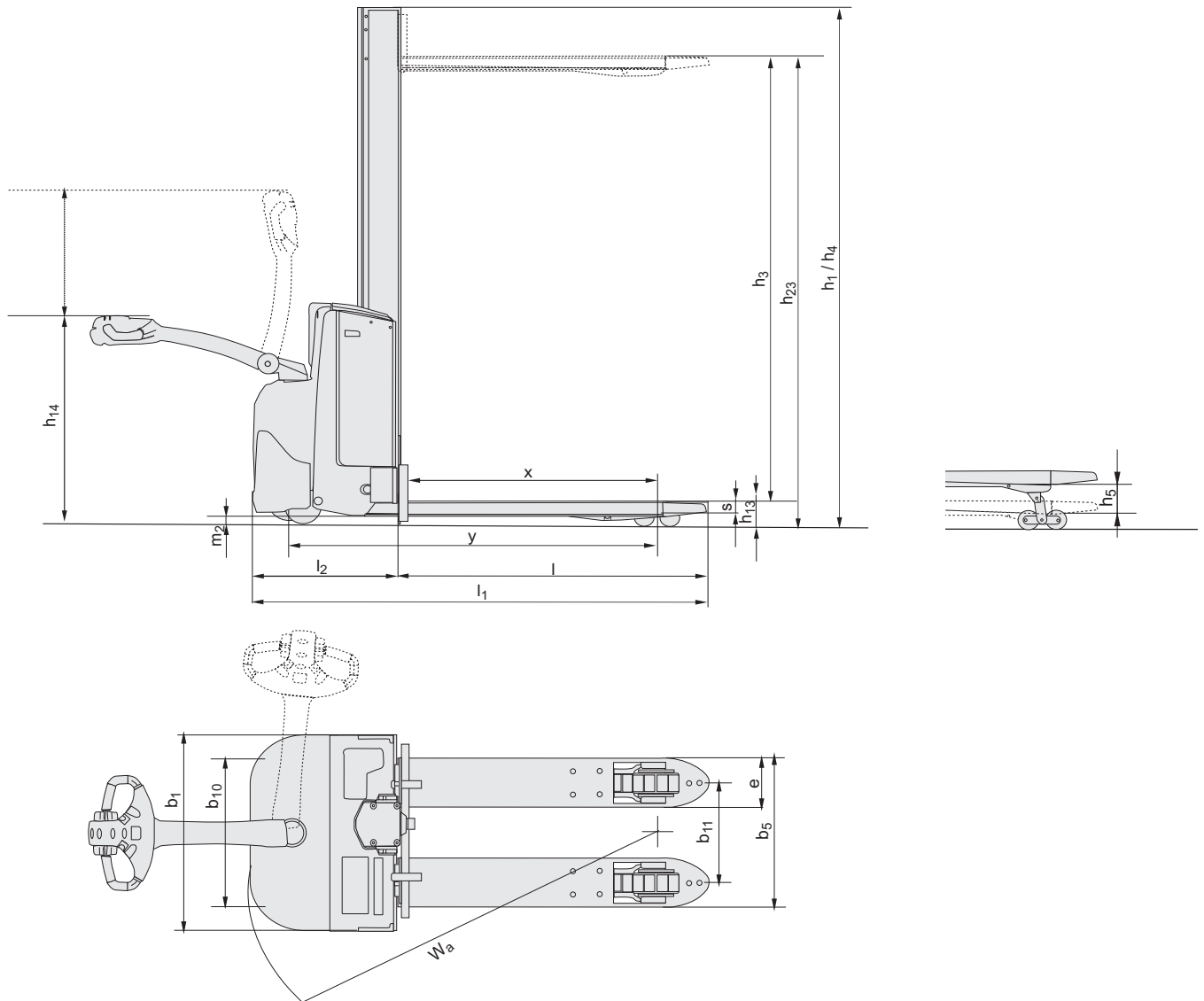
Data is based on standard configurations: h₂₃ = 1580 mm Mono mast.

Truck performance and dimensions are nominal and subject to tolerances.
BT Products AB products and specifications are subject to change without notice.

Mast dimensions

BT staxio

SWE080L			Mono	
h_{23}	Lift height ($h_{13}+h_3$)	mm	600	1580
h_3	Lift	mm	510	1490
h_1	Height, mast lowered	mm	908	1863
h_2	Free lift, ground to top of forks	mm	600	1580
h_4	Height, mast extended	mm	908	1863



Truck features:

- BT Powerdrive System
- Castorlink System
- Fingertip controls
- Electronic braking system
- Electronic speed control
- Operator safety
- Storage compartments
- Automatic switch-off
- Click-2-creep
- Programmable performance
- Easy access for maintenance
- Built in charger (option)
- Toyota I_site: truck fleet management system (option)
- Hydraulic oil for low temperatures (option)

